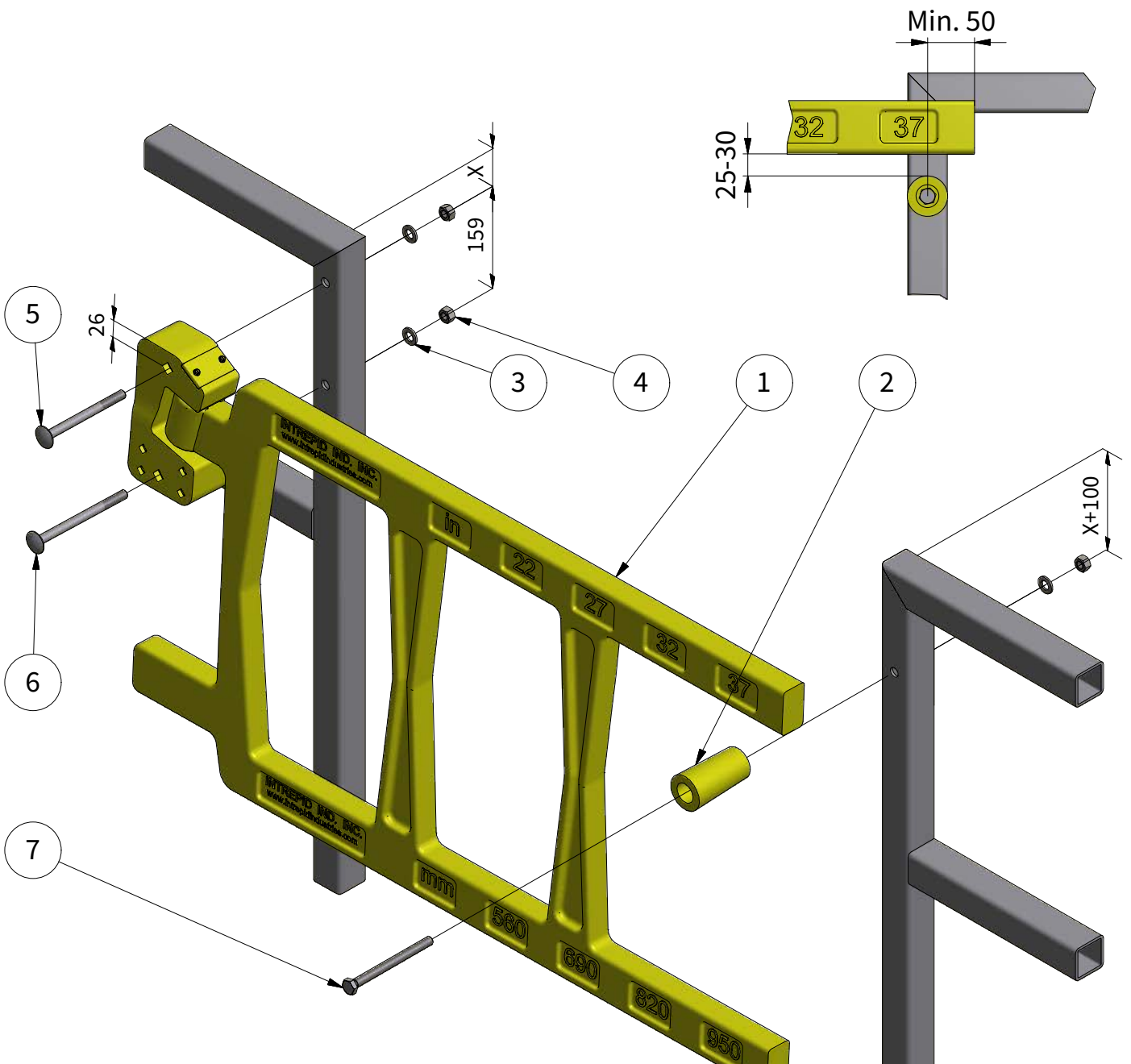


SQUARE TUBE KIT

INSTALLATION GUIDE HDG (BOLTED)



All steel parts are hot dip galvanized.

Bolt length	Tube 40 mm	Tube 50 mm	Tube 60 mm
L1	140	140	160
L2	140	160	160
L3	140	140	160

ITEM	QTY	DESCRIPTION
1	1x	Safety gate
2	1x	Support block
3	3x	Washer M12
4	3x	Hex. nut M12
5	1x	Carriage bolt M12 x L1
6	1x	Carriage bolt M12 x L2
7	1x	Hex. bolt M12 x L3