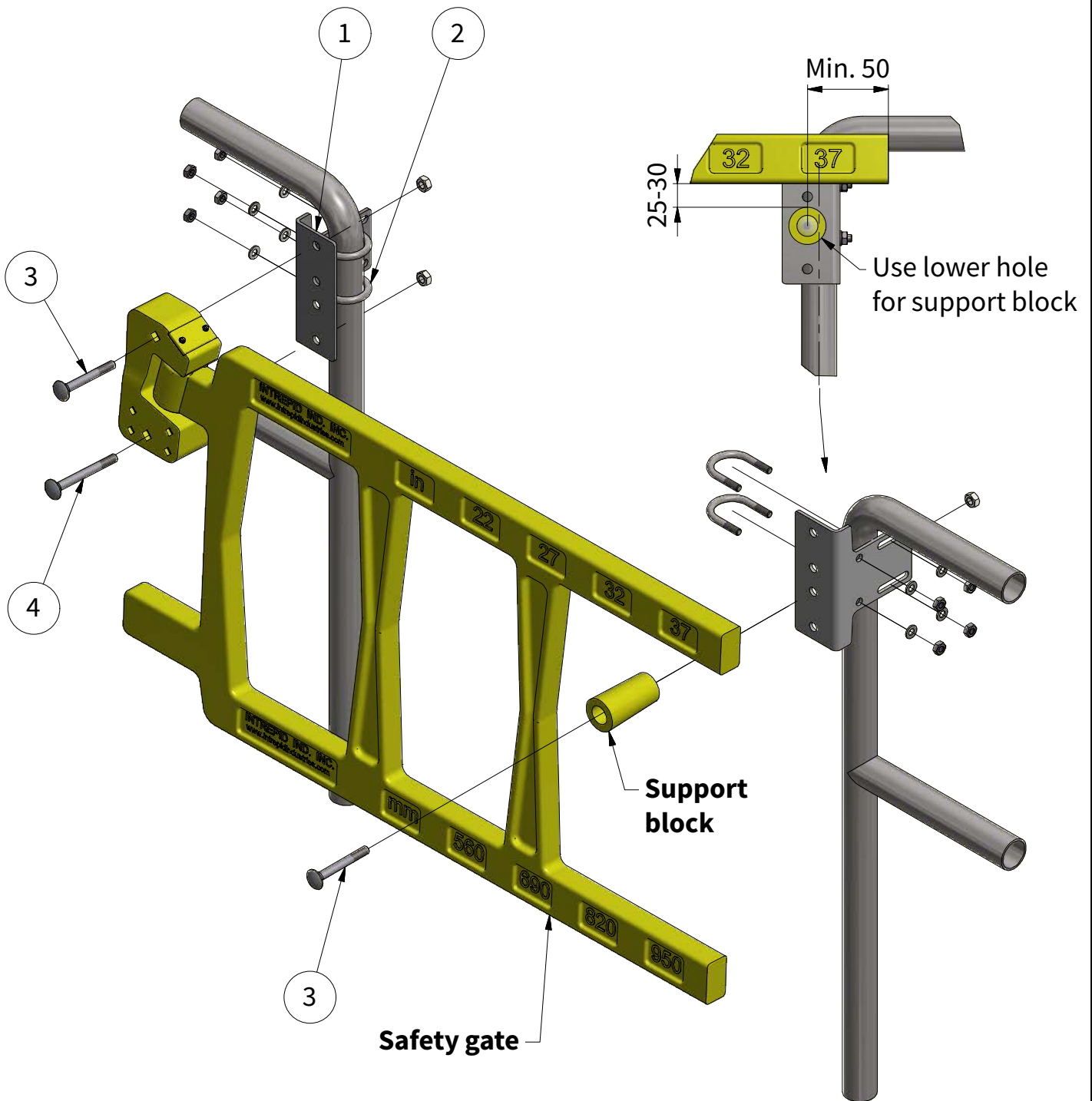


ROUND TUBE KIT

INSTALLATION GUIDE HDG



Supplied with U-bolts suitable for 42-48 mm pipe.
In case of other diameters please contact us;
we supply U-bolts for pipe sizes 30-76 mm.

All steel parts are hot dip galvanized.

ITEM	QTY	DESCRIPTION
1	2x	Mounting bracket
2	4x	U-bolt M10/washer/nut
3*	2x	M12 x 100 carriage bolt/nut
4*	1x	M12 x 120 carriage bolt/nut

*Items 3, 4 and support block supplied with safety gate.