



REDUCE YOUR INJURIES TODAY STRIVE TOWARDS ZERO HARM



PROTECTION FROM ABOVE



BLH STOP DROP BARRICADING SYSTEM INSTALLATION GUIDE

BLH Safety Solutions
providing
reliable securing

 stopdrop™
 dropmatting

Protecting employee's,
the environment and
company assets

Independantly Tested and Certified
www.blh-dom.com



INDEX

Page 3 Complete Assembly Units

Page 7 Single Components

Page 10 Miscellaneous Items

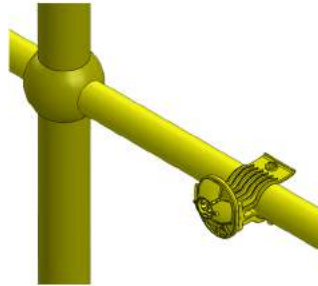
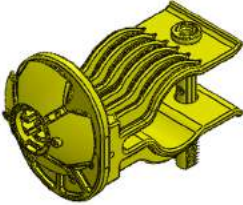
Page 12 Assembly Guidelines

3 COMPLETE ASSEMBLY UNITS

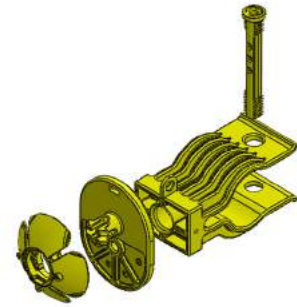
MIDDLE RAIL CLIP ASSEMBLY

PART: BLH-SDB-001-003-M2

Item
001-003



General Location

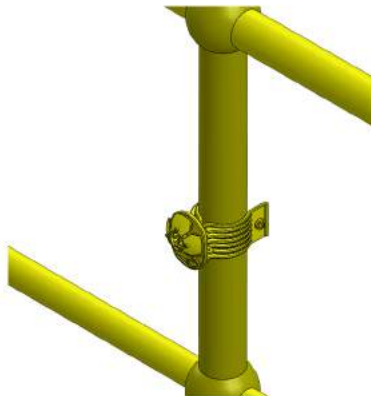
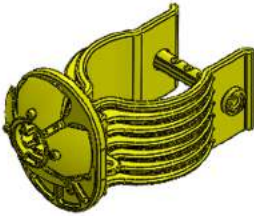


Exploded View

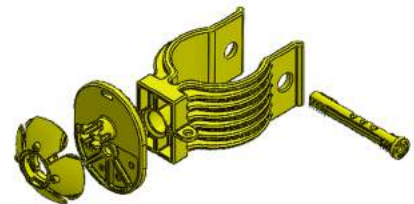
STANCHION VERITCAL CLIP ASSEMBLY

PART: BLH-SDB-001-004-M2

Item
001-004



General Location

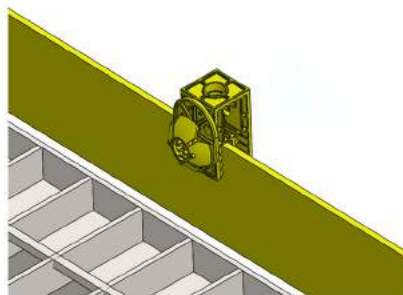
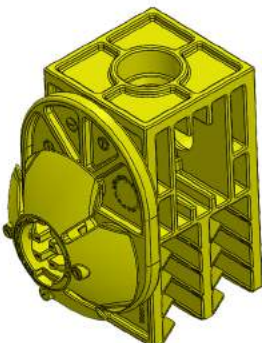


Exploded View

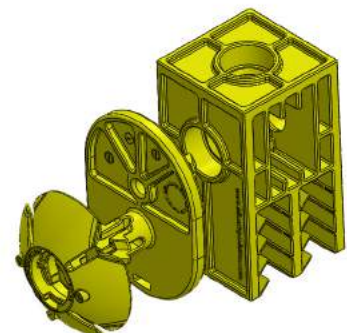
BOTTOM KICK RAIL CLIP ASSEMBLY

PART: BLH-SDB-001-005-M2

Item
001-005



General Location

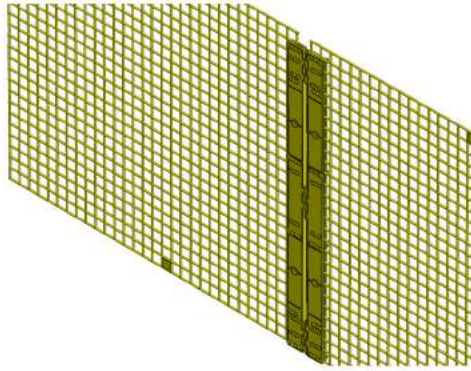


Exploded View

MESH PANEL VERITCAL JOINER ASSEMBLY PART: BLH-SDB-001-006-M2



Item
001-006



General Location

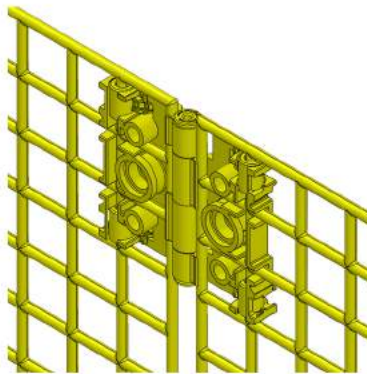
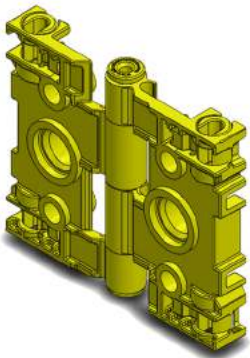


Exploded View

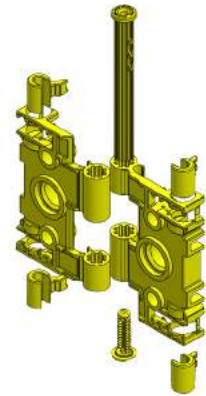
ADJUSTABLE JOINER ASSEMBLY

PART: BLH-SDB-001-011-M2

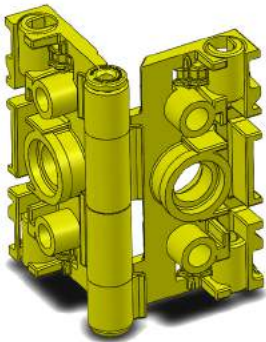
Item
001-011



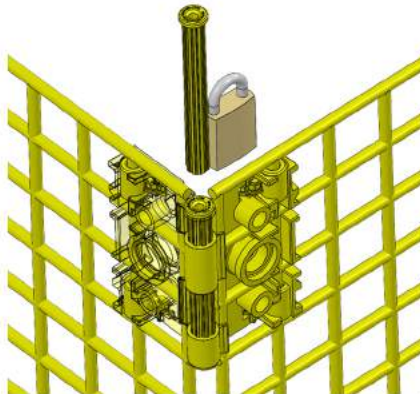
General Location



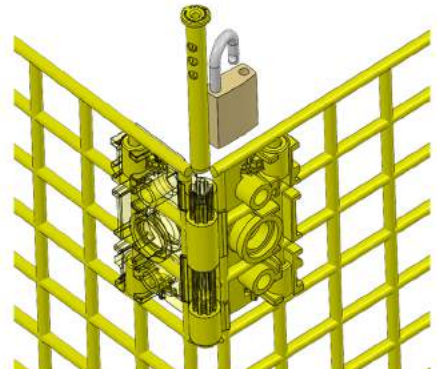
Exploded View



Angled

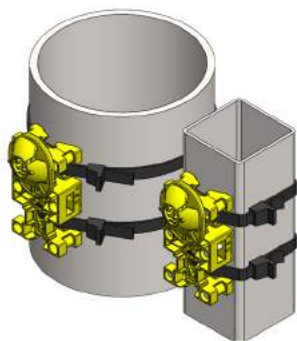
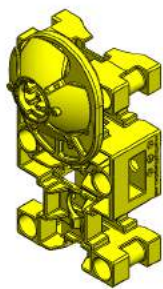


Locked

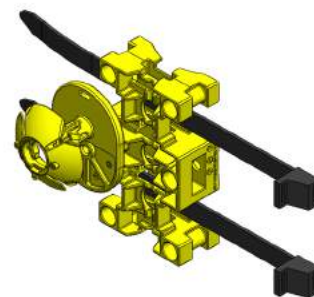
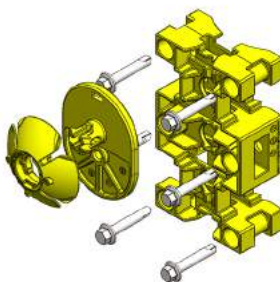


Unlocked

ADJUSTABLE MOUNTING BLOCK ASSEMBLY PART: BLH-SDB-001-012-M2

Item
001-012

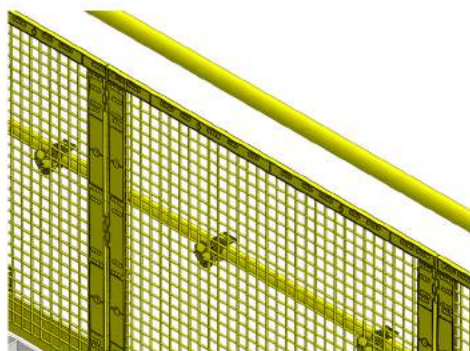
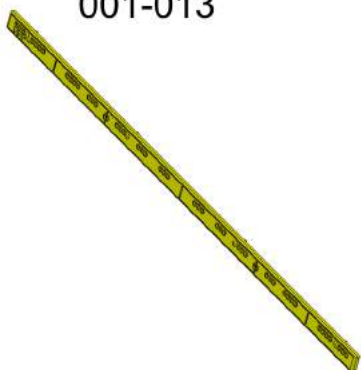
General Location



Exploded Views

TOP CAPPING RAIL ASSEMBLY

PART: BLH-SDB-001-013-M2

Item
001-013

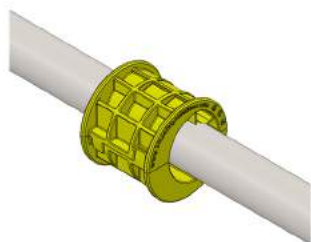
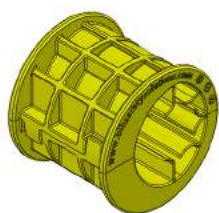
General Location



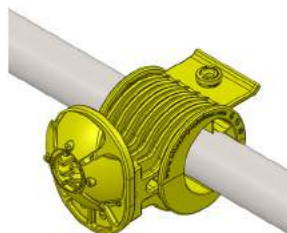
Exploded View

ECCENTRIC BUSH RAIL ADAPTOR

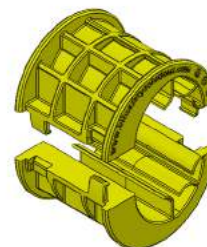
PART: BLH-SDB-001-014-M2

Item
001-014

General Location

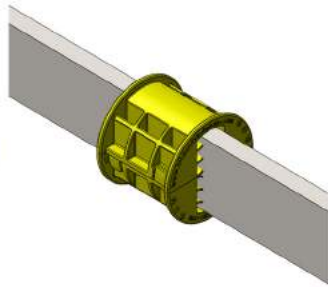
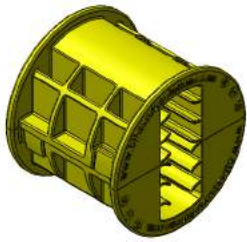


Usage

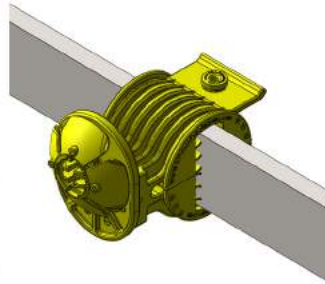


Exploded View

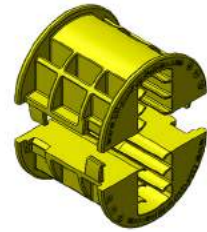
FLAT BAR RAIL ADAPTOR BUSH ASSEMBLY PART: BLH-SDB-001-015-M2

Item
001-015

General Location



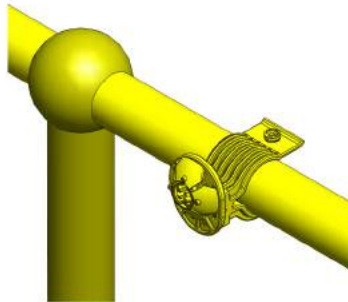
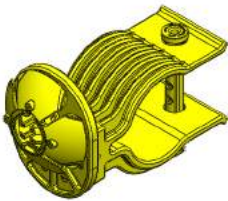
Usage



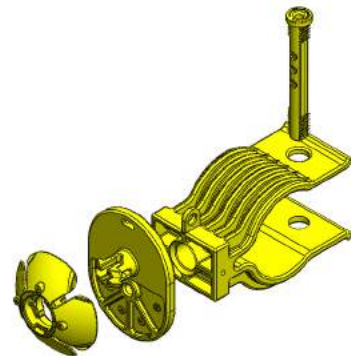
Exploded View

TOP RAIL CLIP ASSEMBLY

PART: BLH-SDB-001-018-M2

Item
001-018

General Location



Exploded View

7

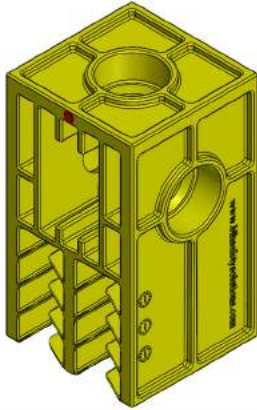
SINGLE COMPONENTS

SINGLE COMPONENTS

BLH-SDB-002-001-M2

BOTTOM KICK RAIL CLIP

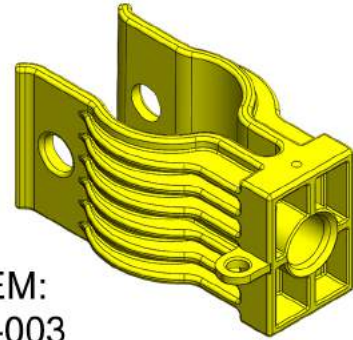
ITEM:
002-001



BLH-SDB-002-003-M2

MIDDLE RAIL CLIP

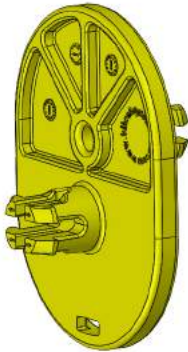
ITEM:
002-003



BLH-SDB-002-005-M2

ECCENTRIC PIN JOINER

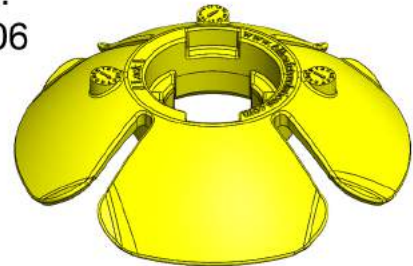
ITEM:
002-005



BLH-SDB-002-006-M2

MESH CLIP BUTTON

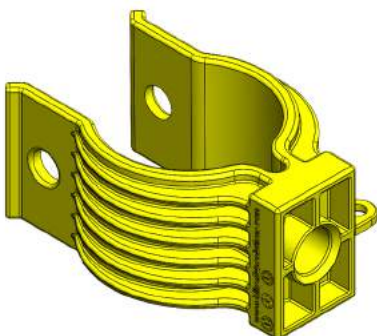
ITEM:
002-006



BLH-SDB-002-007-M2

STANCHION VERTICAL CLIP

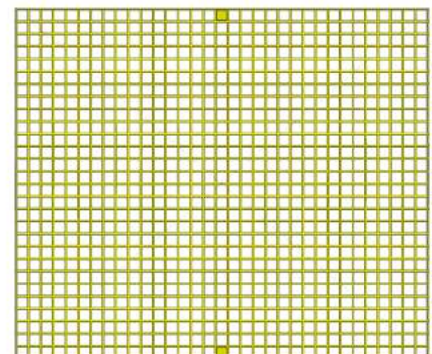
ITEM:
002-007



BLH-SDB-002-008-M2

MESH PANEL

ITEM:
002-008



BLH-SDB-002-010-M2

CLIP TAMPER PROOFING PIN

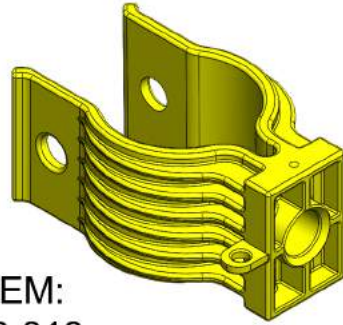
ITEM:
002-010



BLH-SDB-002-018-M2

TOP RAIL CLIP

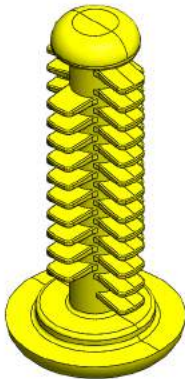
ITEM:
002-018



BLH-SDB-002-029-M2

SECURING BARBED PIN

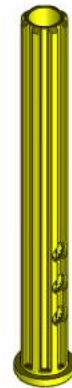
ITEM:
002-029



BLH-SDB-002-025-M2

ADJUSTABLE JOINER PIN

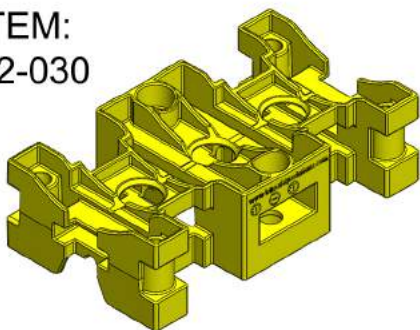
ITEM:
002-025



BLH-SDB-002-030-M2

ADJUSTABLE MOUNTING BLOCK

ITEM:
002-030



BLH-SDB-002-032-M2

ADJUSTABLE JOINER HINGE PIN

ITEM:
002-032



10

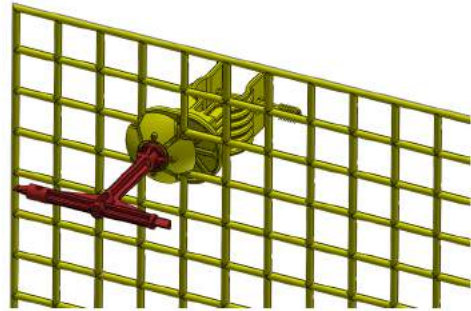
MISCELLANEOUS ITEMS

11 TOOLS

BUTTON INSTALLATION/REMOVAL TOOL

PART: BLH-SDB-002-051-M2

Item
002-051



USAGE

RATED CABLE TIE

PART: BLH-SDB-002-050-M2

Item
002-050

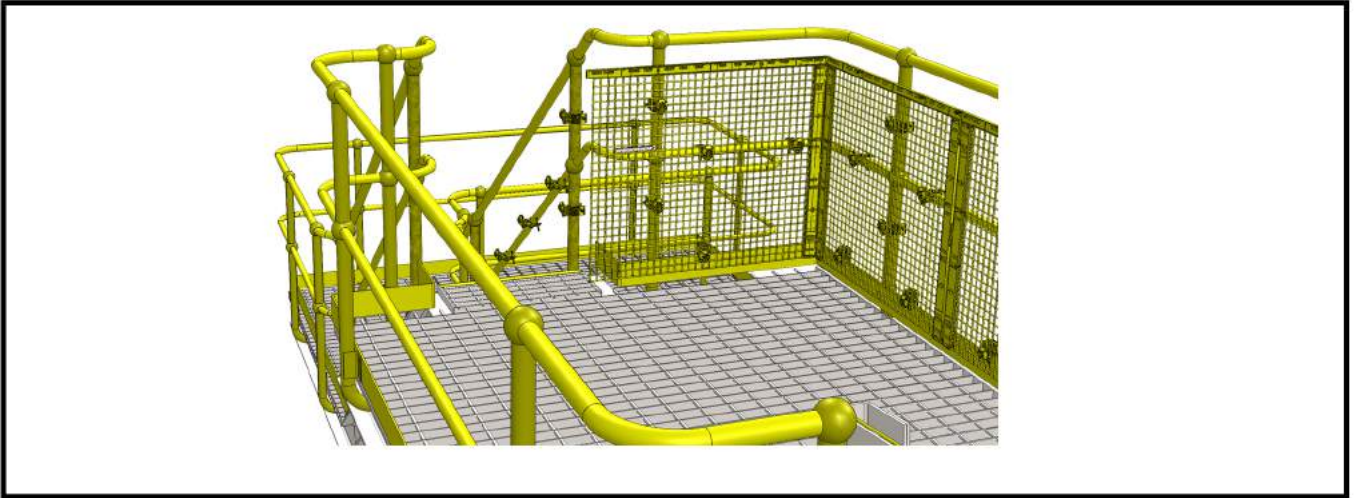


12

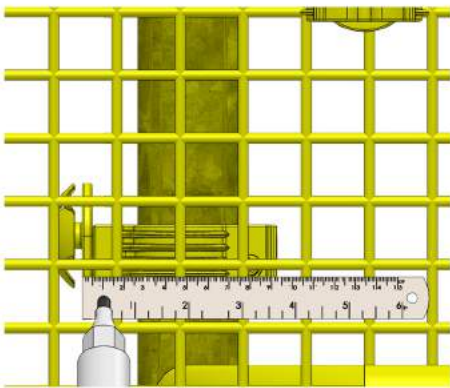
ASSEMBLY GUIDELINES

INSTALL MESH EXTERNAL CORNER PROCEDURE

STEP ONE



STEP TWO



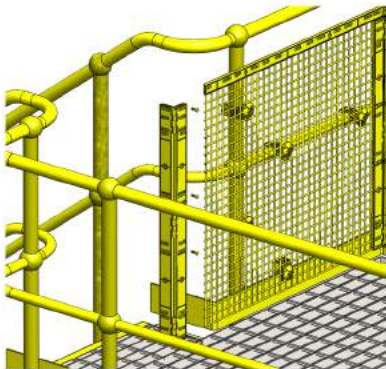
Measure back 10mm from Midrail Clip

STEP THREE



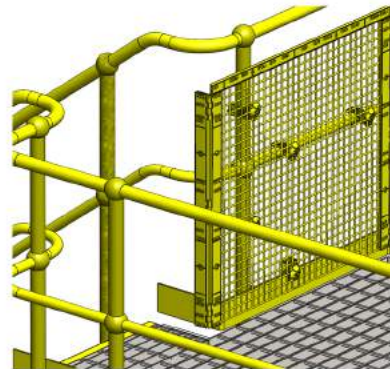
Cut Top Rail and Mesh

STEP FOUR



Fit Vertical Joiner
Set to 90 degrees

FINAL

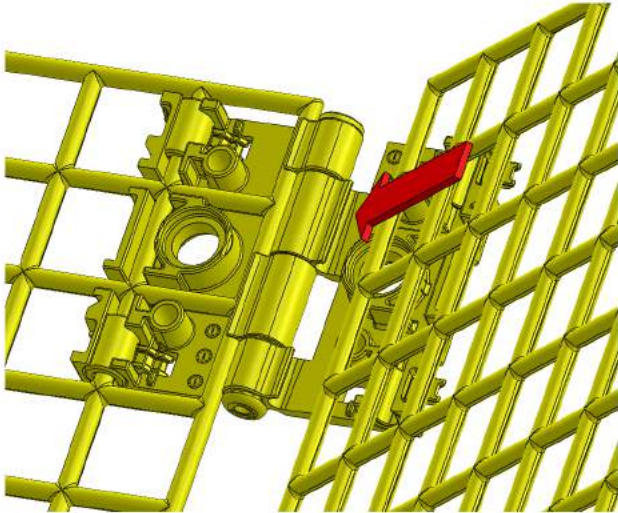


Fit 4 Barbed
Pins

14 INSTRUCTIONS

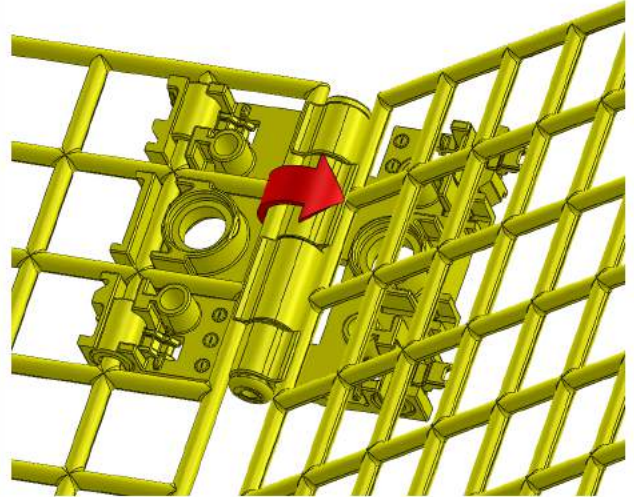
ADJUSTABLE JOINER PROCEDURE

STEP ONE



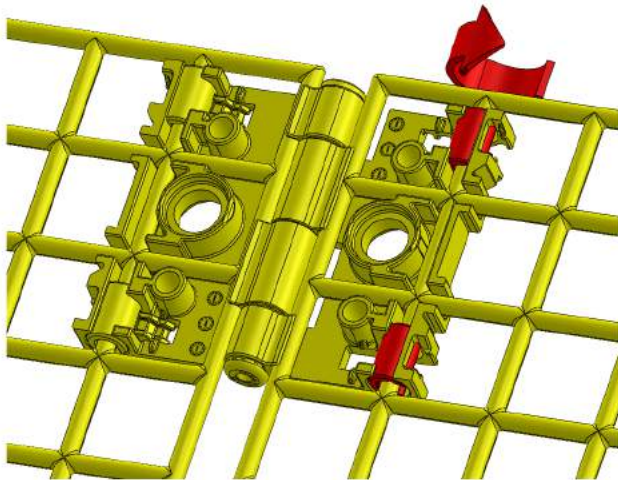
Insert Mesh

STEP TWO



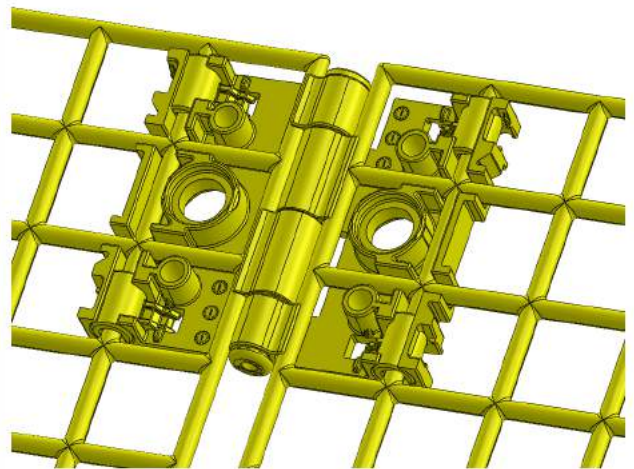
Rotate Mesh into
Adjustable Joiner
Assembly

STEP THREE



Rotate locking clip
into locked position.

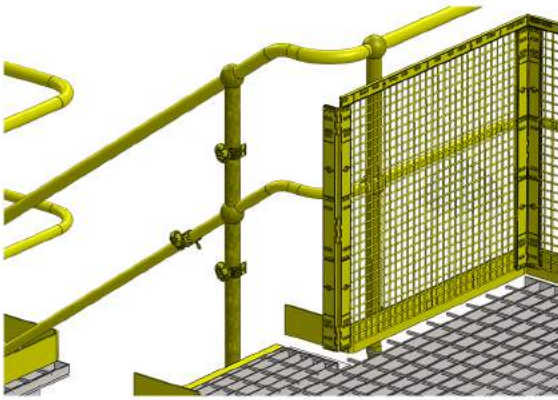
FINISH



Adjustable Joiner
completed

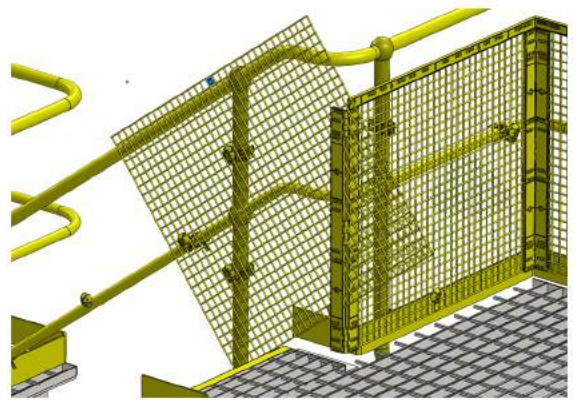
INSTALL MESH EXTERNAL CORNER 2 PROCEDURE

STEP ONE



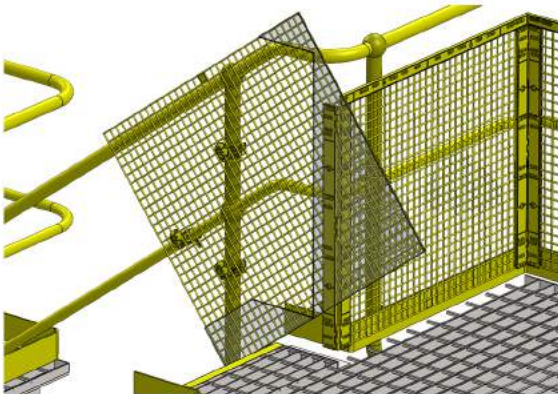
Install Clips

STEP TWO



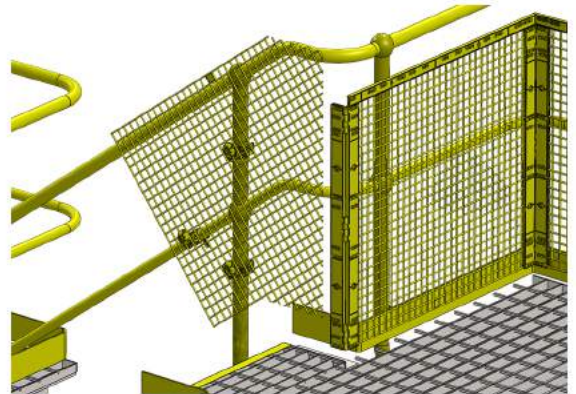
Place Mesh

STEP THREE



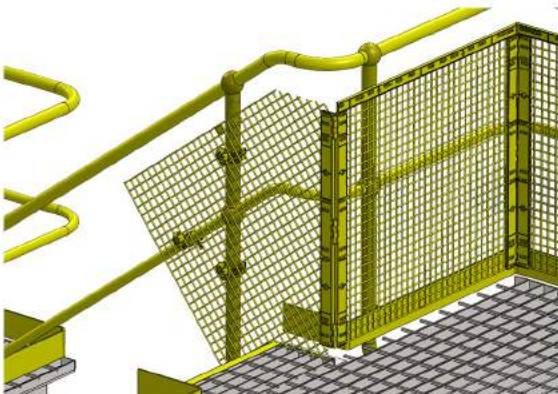
Mark and cut mesh to fit

STEP FOUR



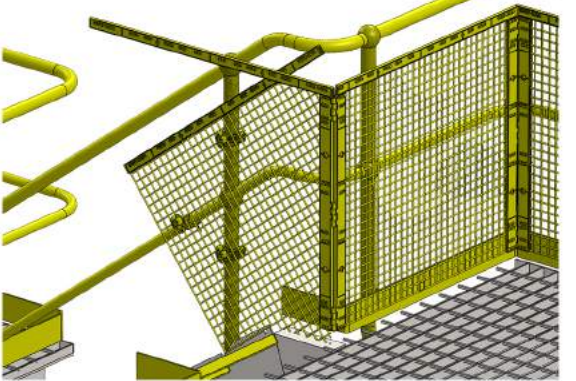
Place Mesh

STEP FIVE



Place mesh

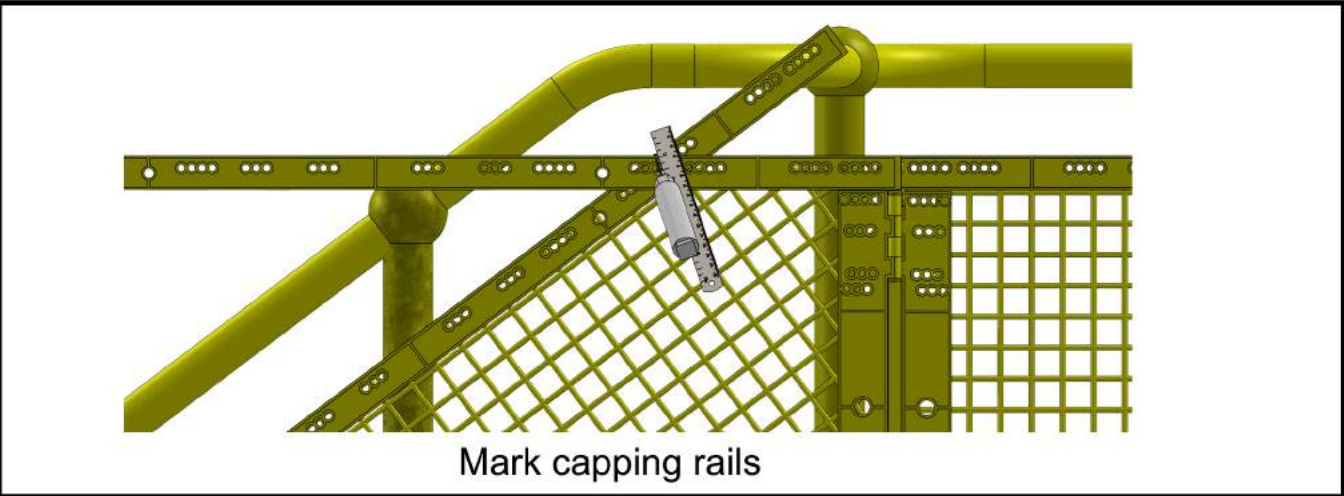
STEP SIX



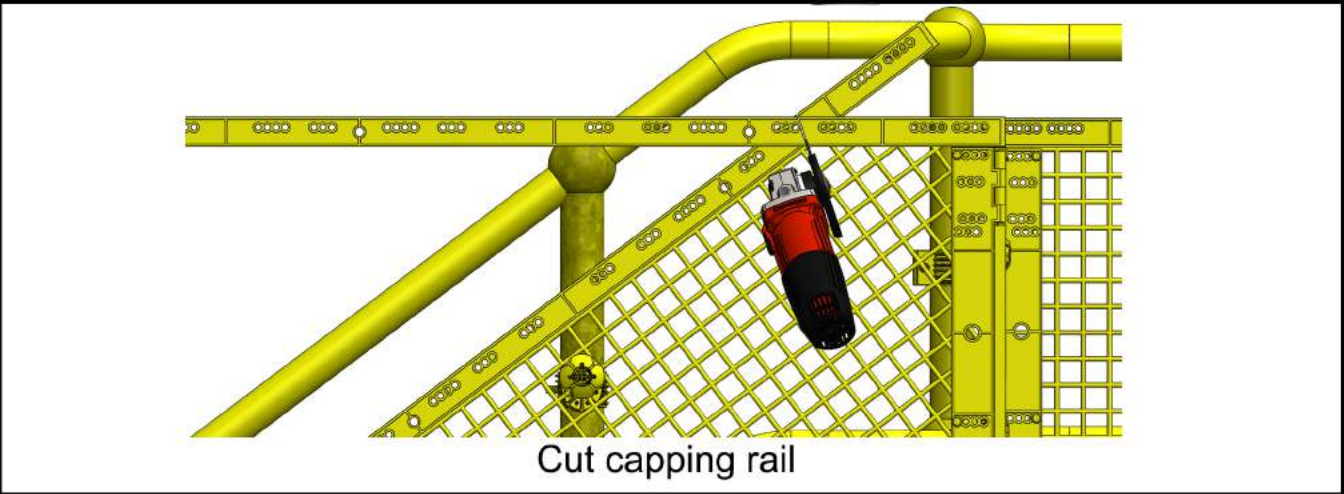
Line up capping rails

INSTALL MESH EXTERNAL CORNER 2 PROCEDURE, continued

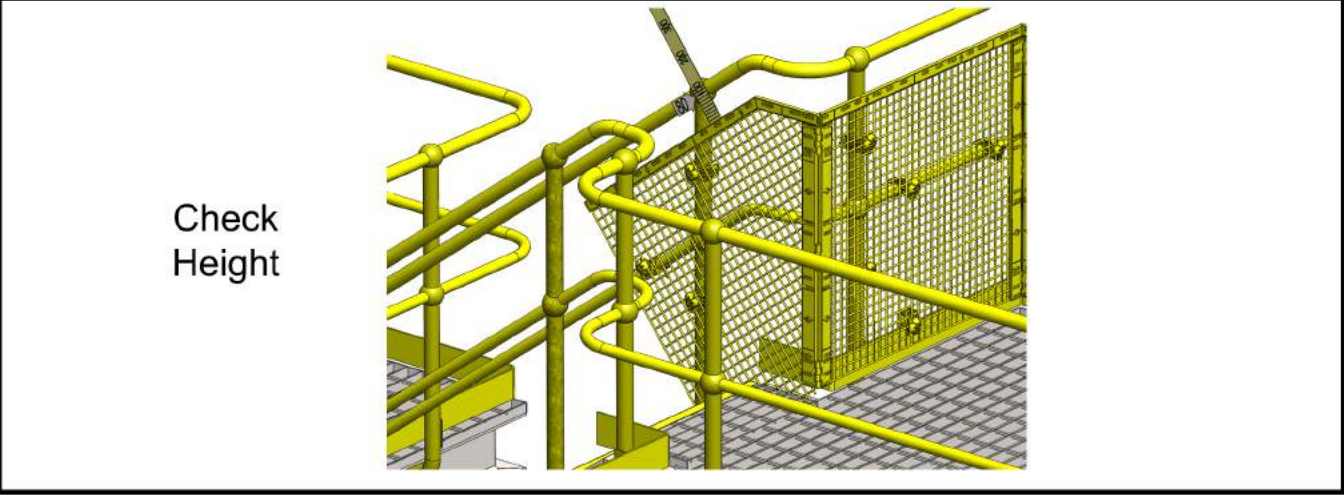
STEP SEVEN



STEP EIGHT

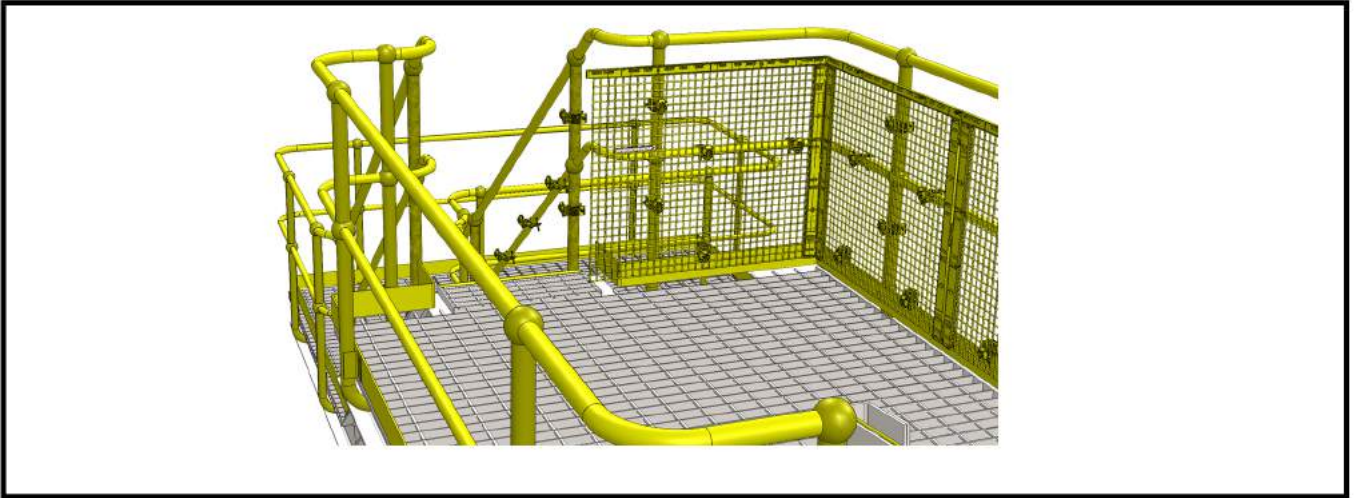


FINAL

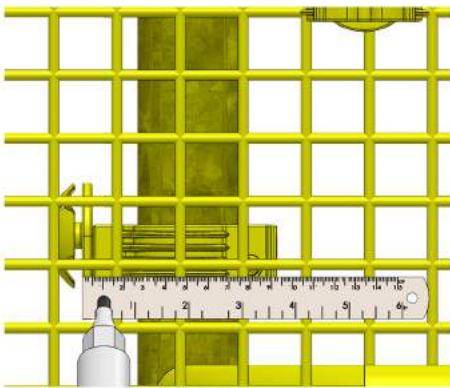


INSTALL MESH EXTERNAL CORNER PROCEDURE

STEP ONE



STEP TWO



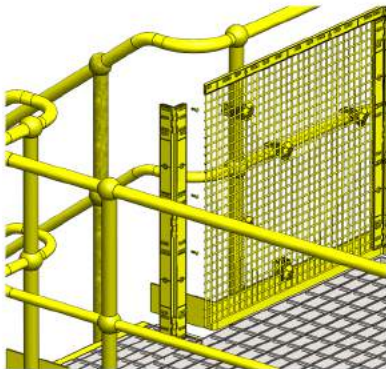
Measure back 10mm from Midrail Clip

STEP THREE



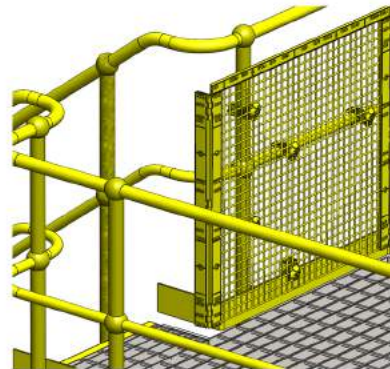
Cut Top Rail and Mesh

STEP FOUR



Fit Vertical Joiner
Set to 90 degrees

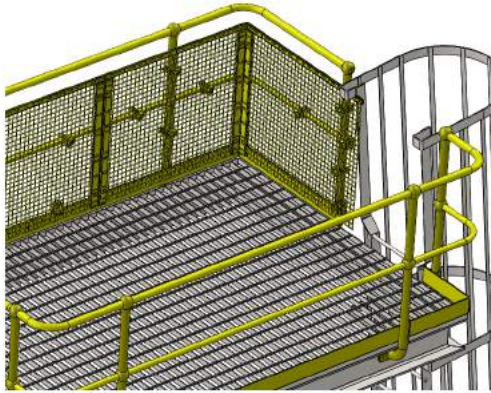
FINAL



Fit 4 Barbed
Pins

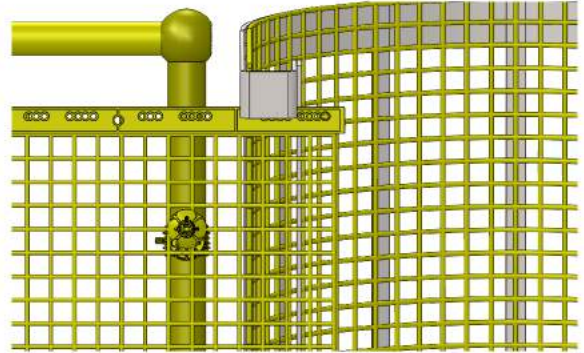
MESH TRIM FROM OBJECT PROCEDURE

STEP ONE



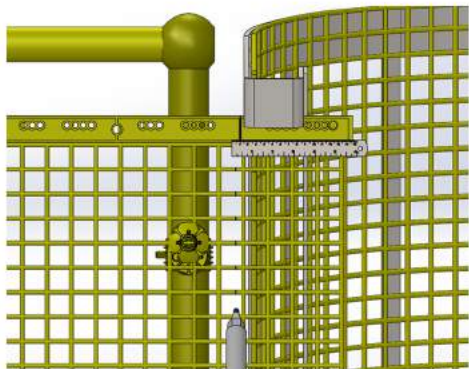
Mesh too long to fit near object

STEP TWO



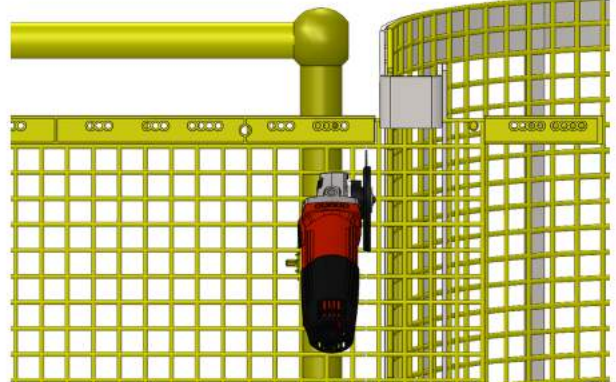
Mesh too long

STEP THREE



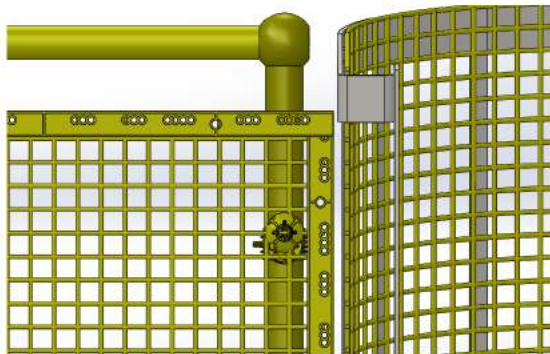
Mark mesh and capping rail,
10 mm from object.

STEP FOUR



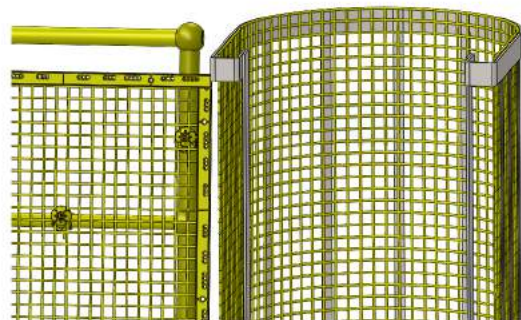
Cut mesh and capping rail

STEP FIVE



Fit Capping Rail To End Of Mesh &
Pin In Place

FINAL



**BLH DROPPED OBJECT PREVENTION SYSTEMS
BE PROACTIVE - LEAD THE WAY IN SAFETY**

Stop falling objects!



safety solutions

Speak to us today about keeping
your workforce safe with...

stopdrop™
 dropmatting

BLH-DOM Safety Solutions AS

Soltunveien 1 4050 Sola - Norway

Tel. +47 51 81 40 00

Email: post@blh-dom.com

Web: www.blh-dom.com